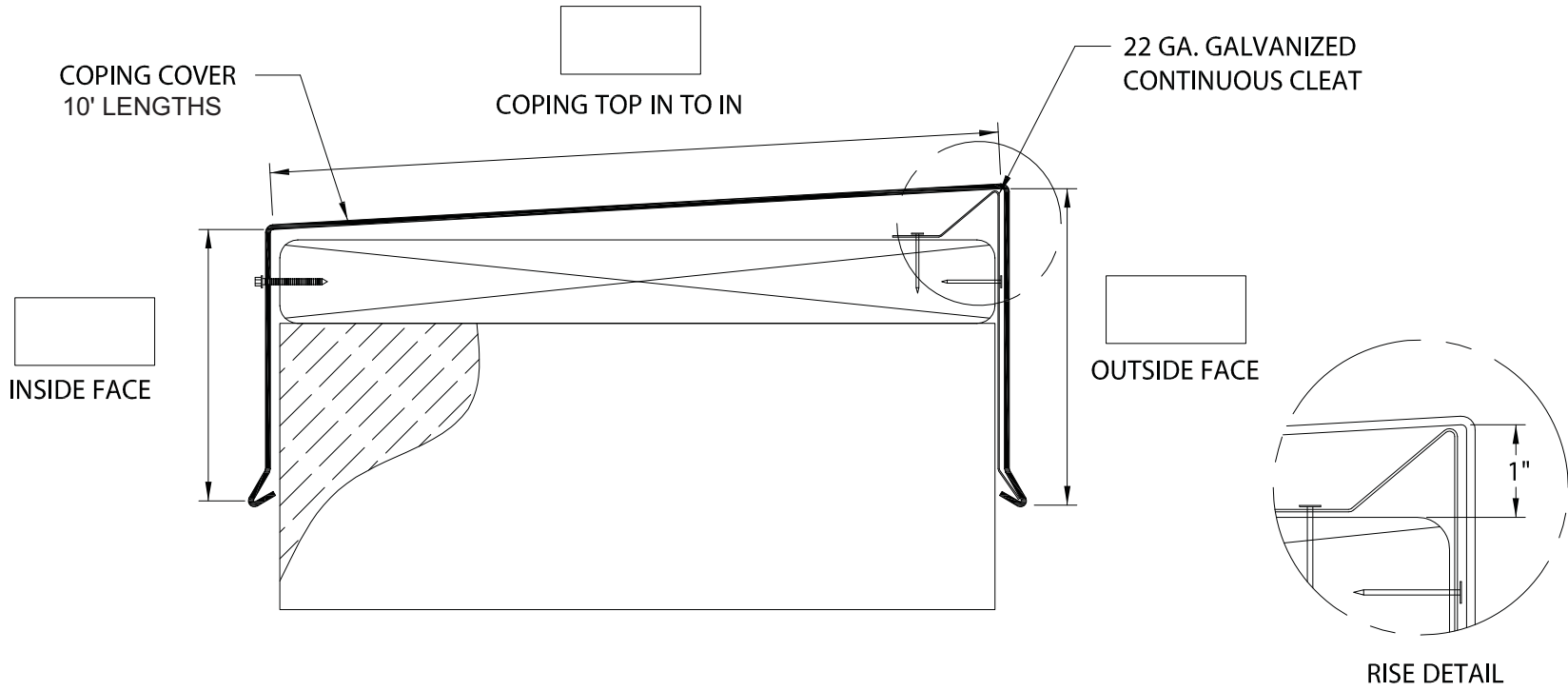


TAPERED VERSION



FLAMCO

QUANTITIES:

_____ LINEAL FT. 10' LENGTHS

MATERIAL:

_____ 24 GA. GALV.
 _____ .040" ALUMINUM
 _____ OTHER _____

COLOR _____
 FINISH _____

NOTES:

1. All fasteners supplied by others (No holes provided)
2. 4" wide cover plates at each joint (crimp on style). Not shown in drawing.

Florida Metal Products, Inc.
 Jacksonville, FL

Phone: (904) 783-8400
 Fax: (904) 783-8403

Web Site: www.flamco.com

DATE: _____

PRINT APPROVED BY: _____

DATE: _____ SIGNATURE: _____

A SIGNED PRINT APPROVAL SIGNIFIES A CONTRACTOR HAS VERIFIED ALL DIMENSIONS, SIZES, QUANTITIES AND MATERIAL TYPES.

FABRICATION CAN ONLY PROCEED UPON RECEIPT OF SIGNED PRINT APPROVAL.

SHEET: _____ OF _____